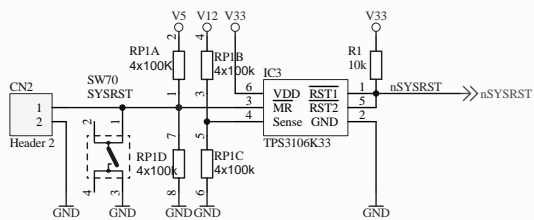
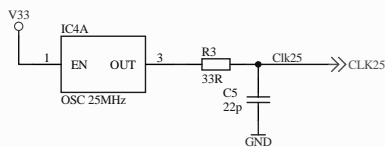


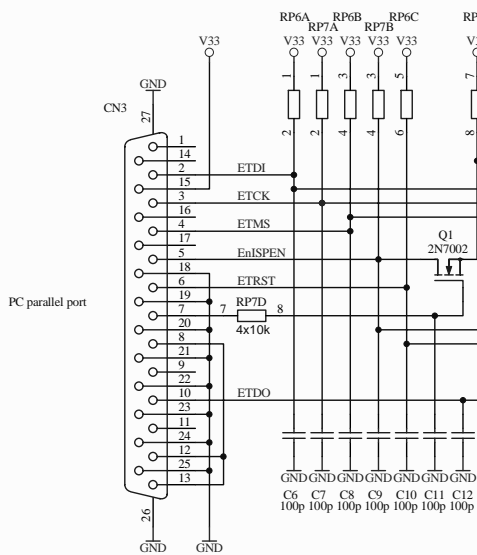
Reset



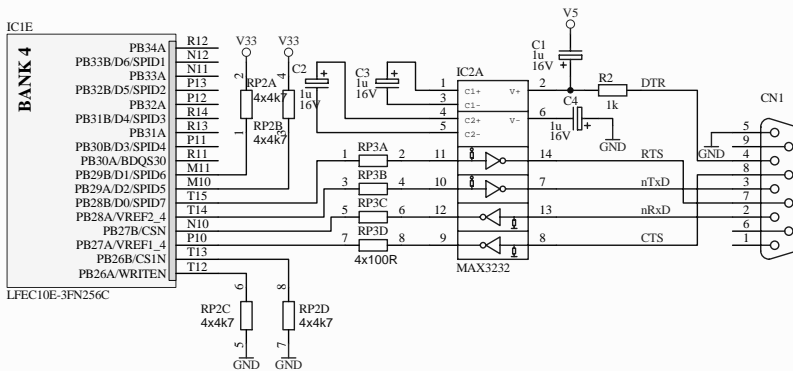
Clock



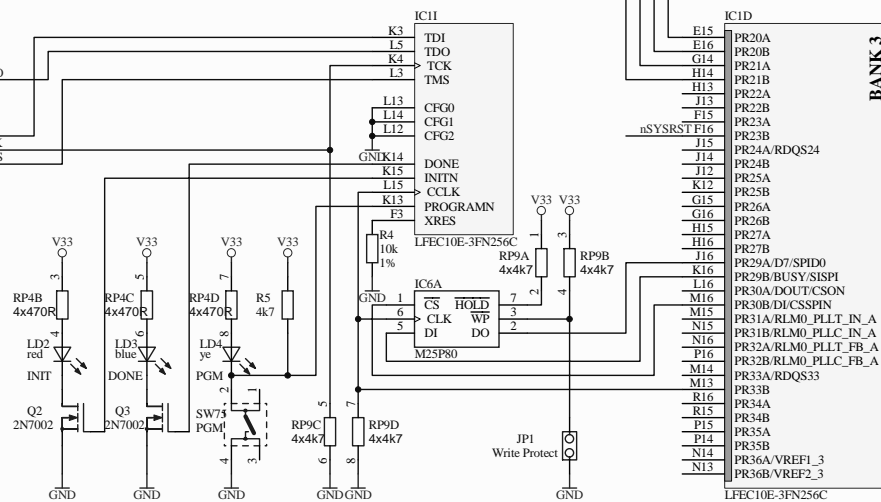
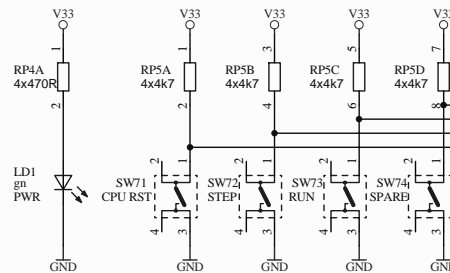
Configuration / JTAG

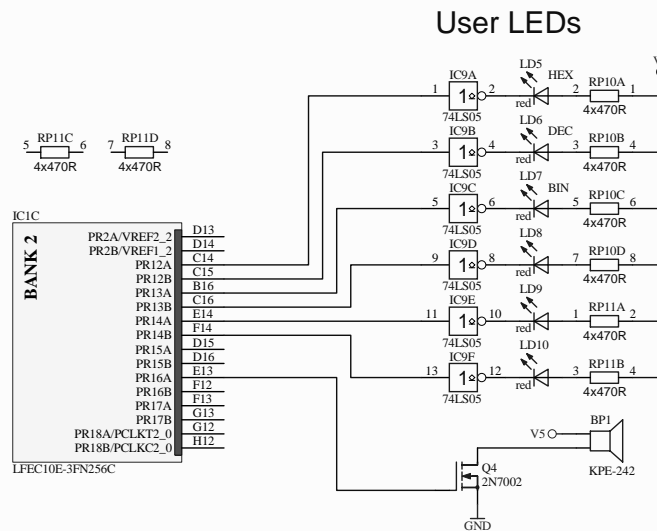
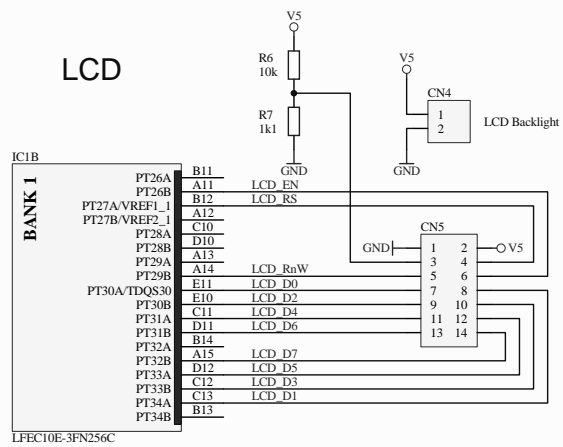
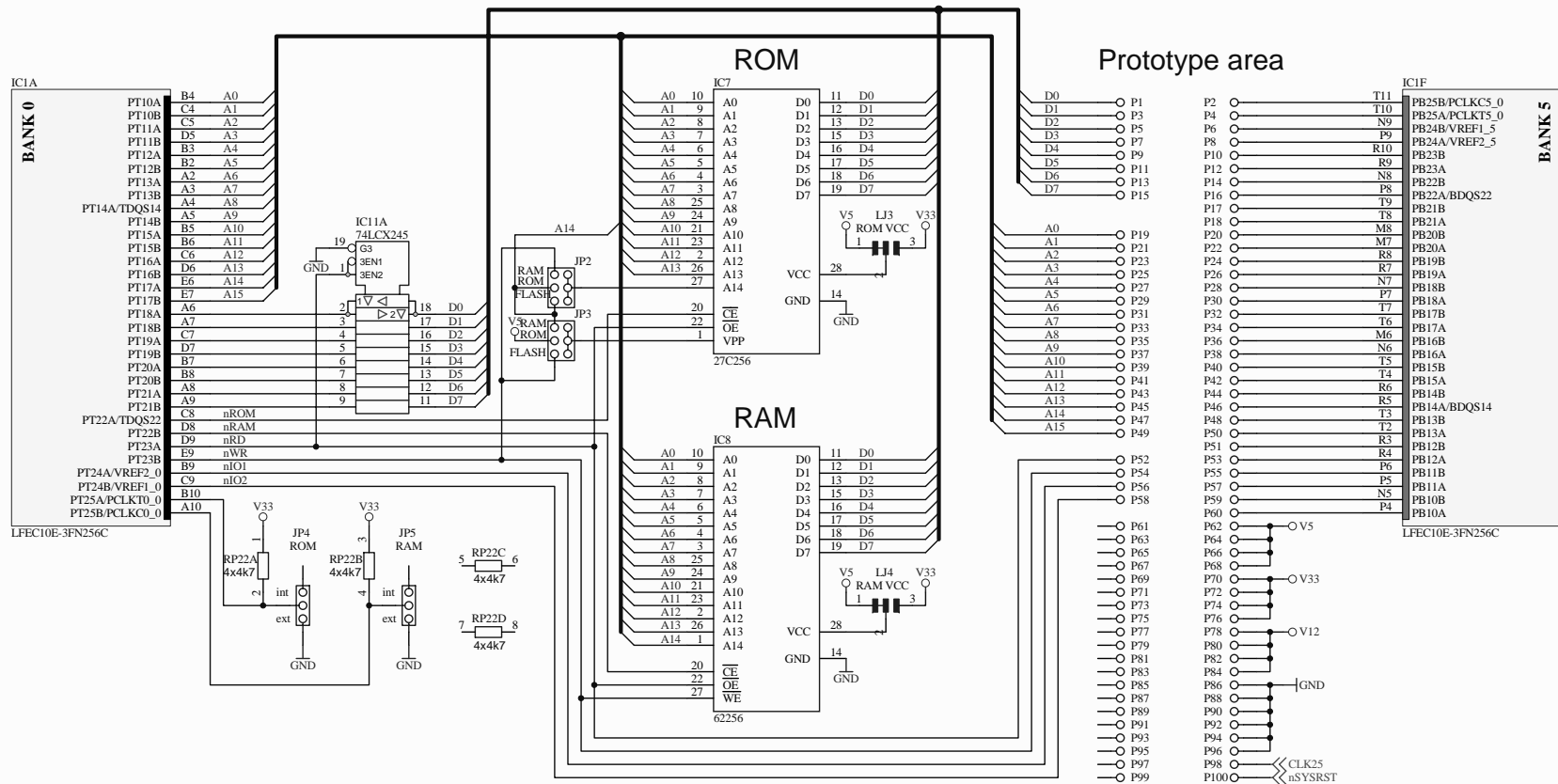


RS-232



Control buttons





Title DIY Calculator Peripherals		PCL Ges.m.b.H.	
Size: A3	AQ018	Revision:0.1	Triester Str. 14
Date: 18.07.2006		Sheet2 of 4	A-2351 Wr. Neudorf
File: Peripheral.SchDoc			

