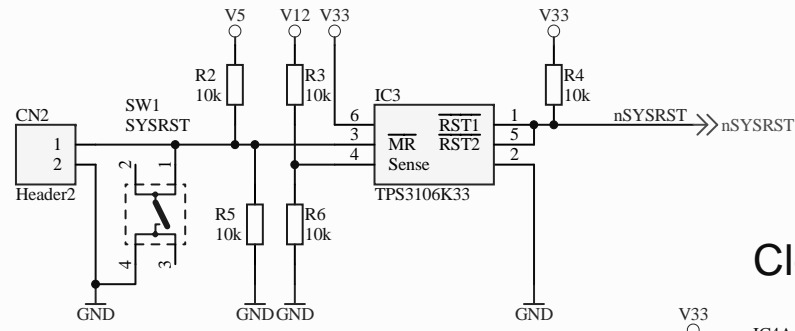
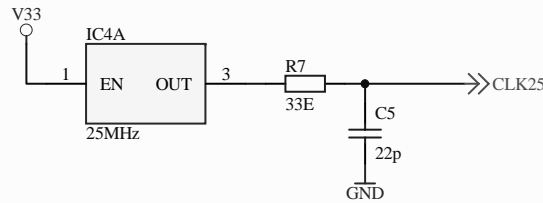


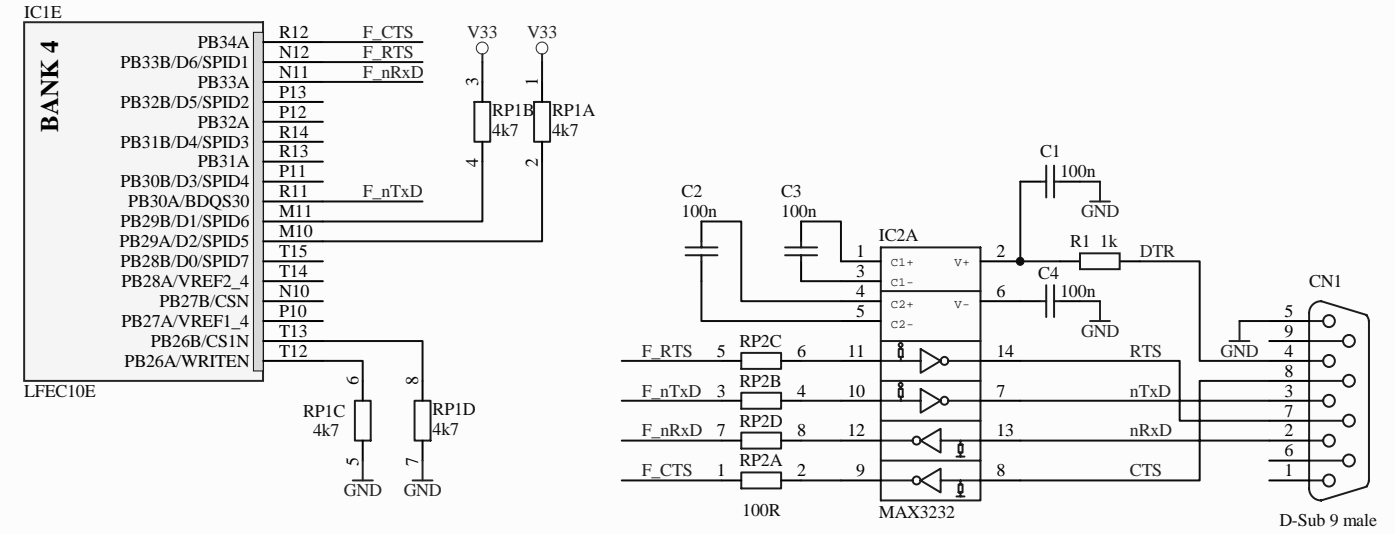
# Reset



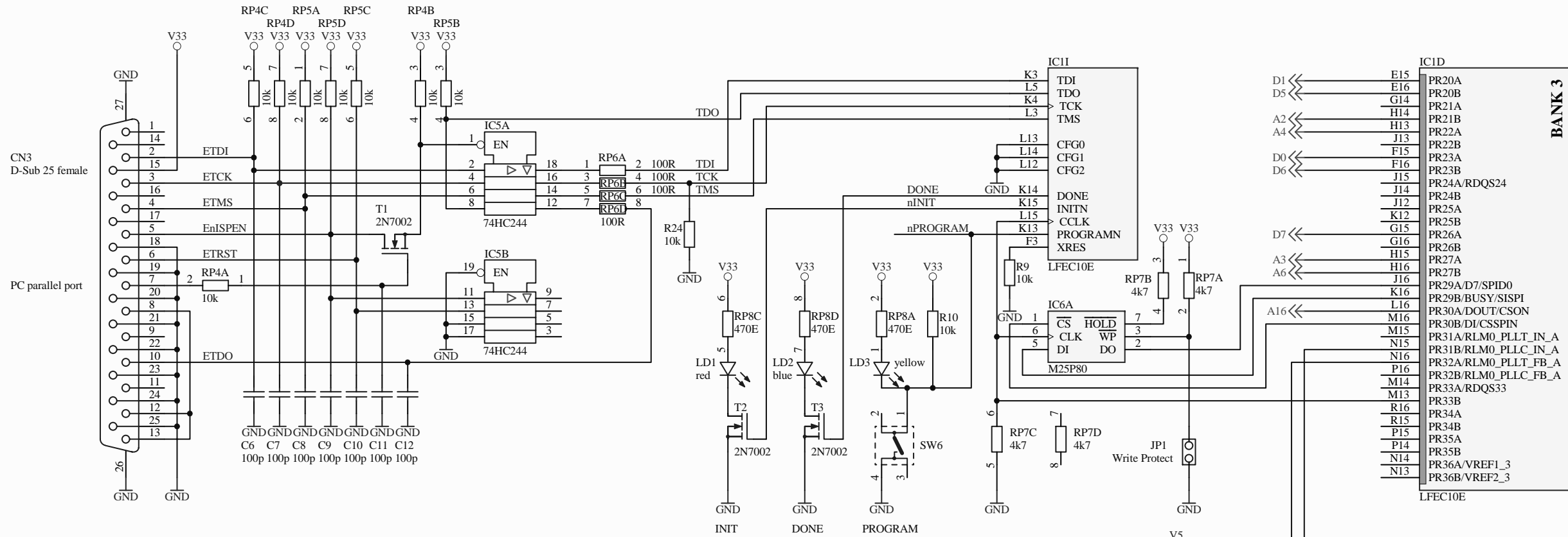
# Clock

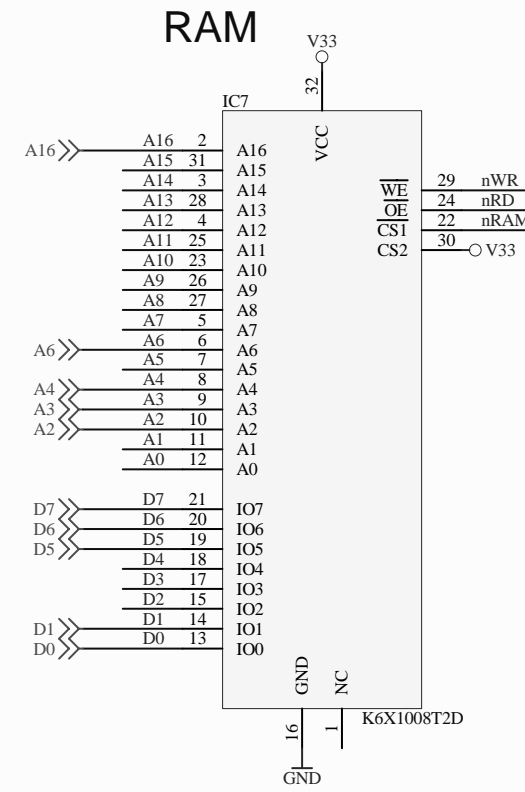
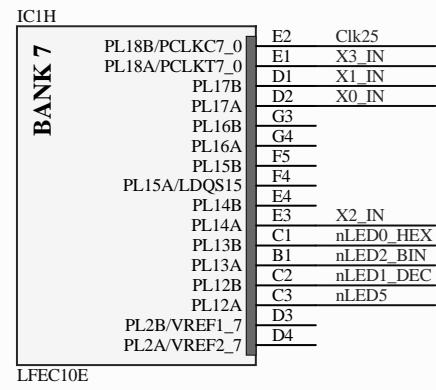
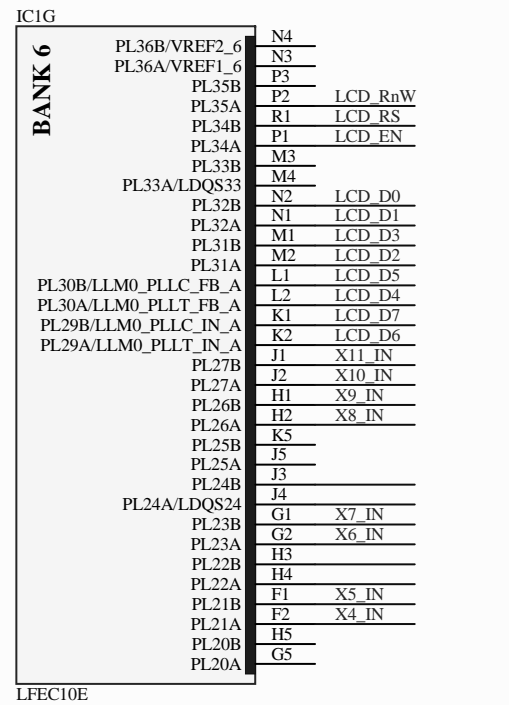
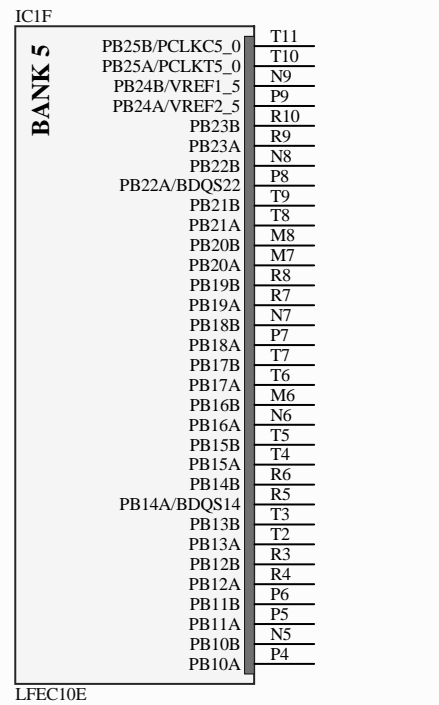
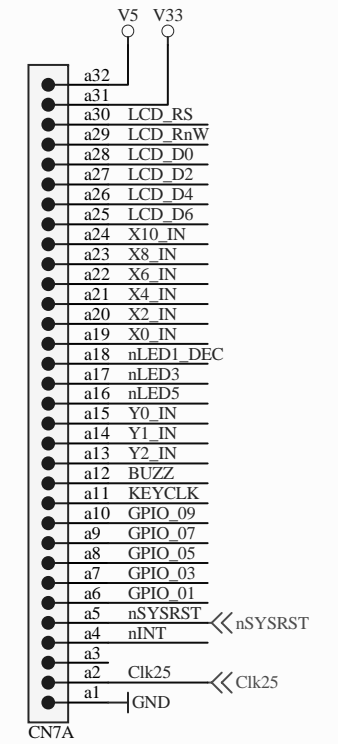
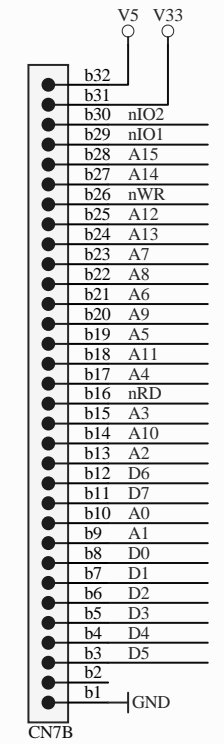
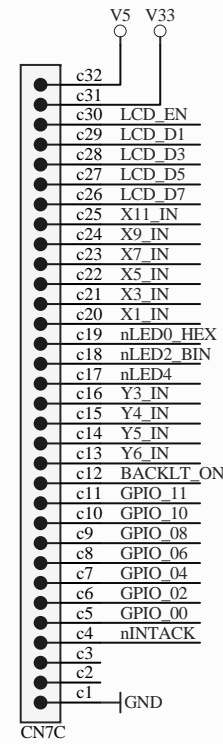
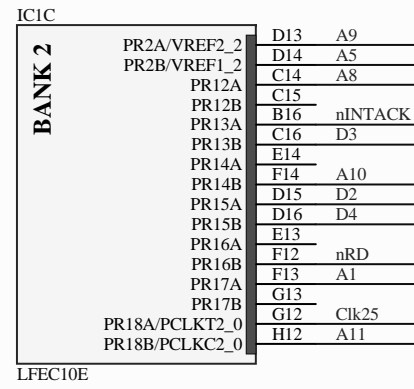
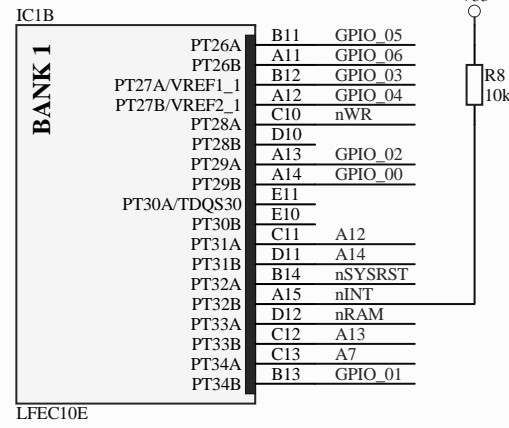
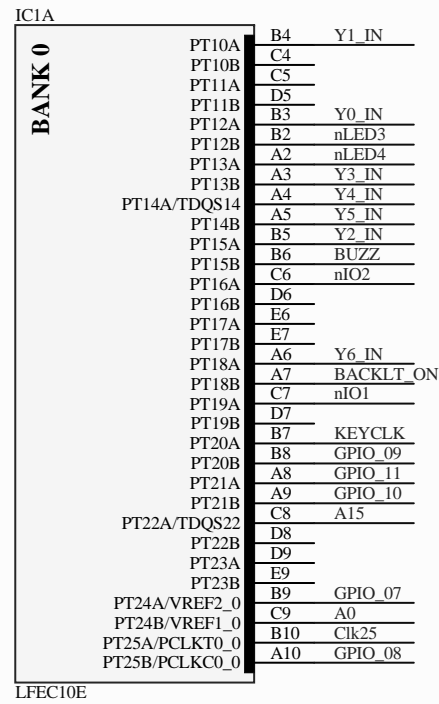


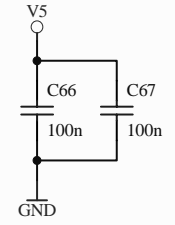
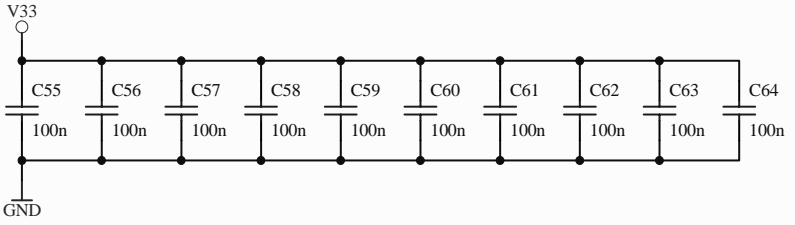
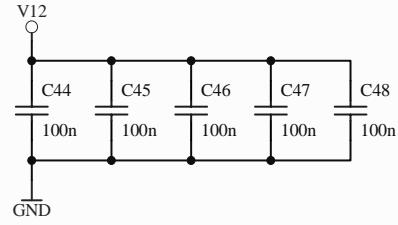
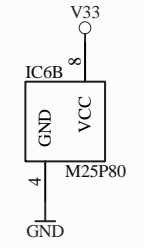
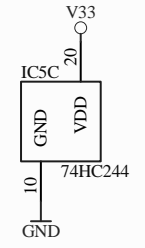
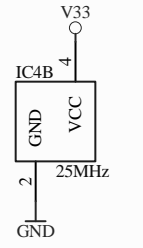
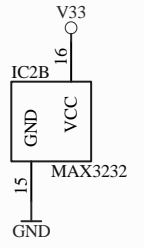
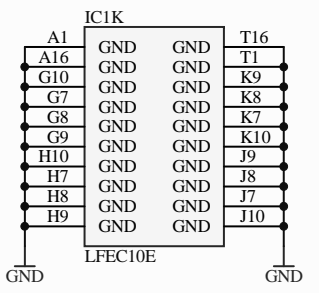
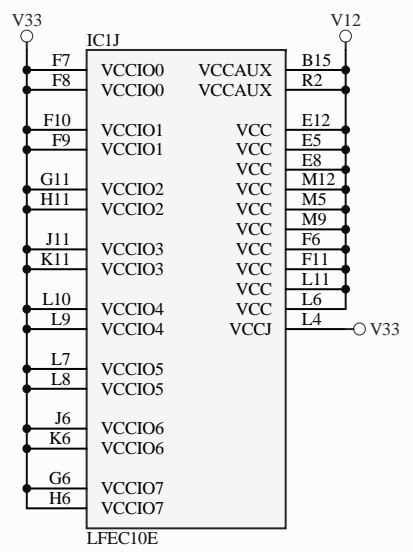
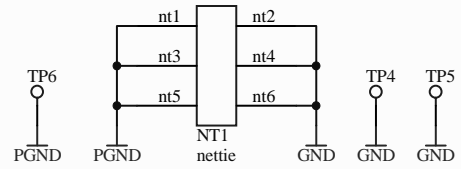
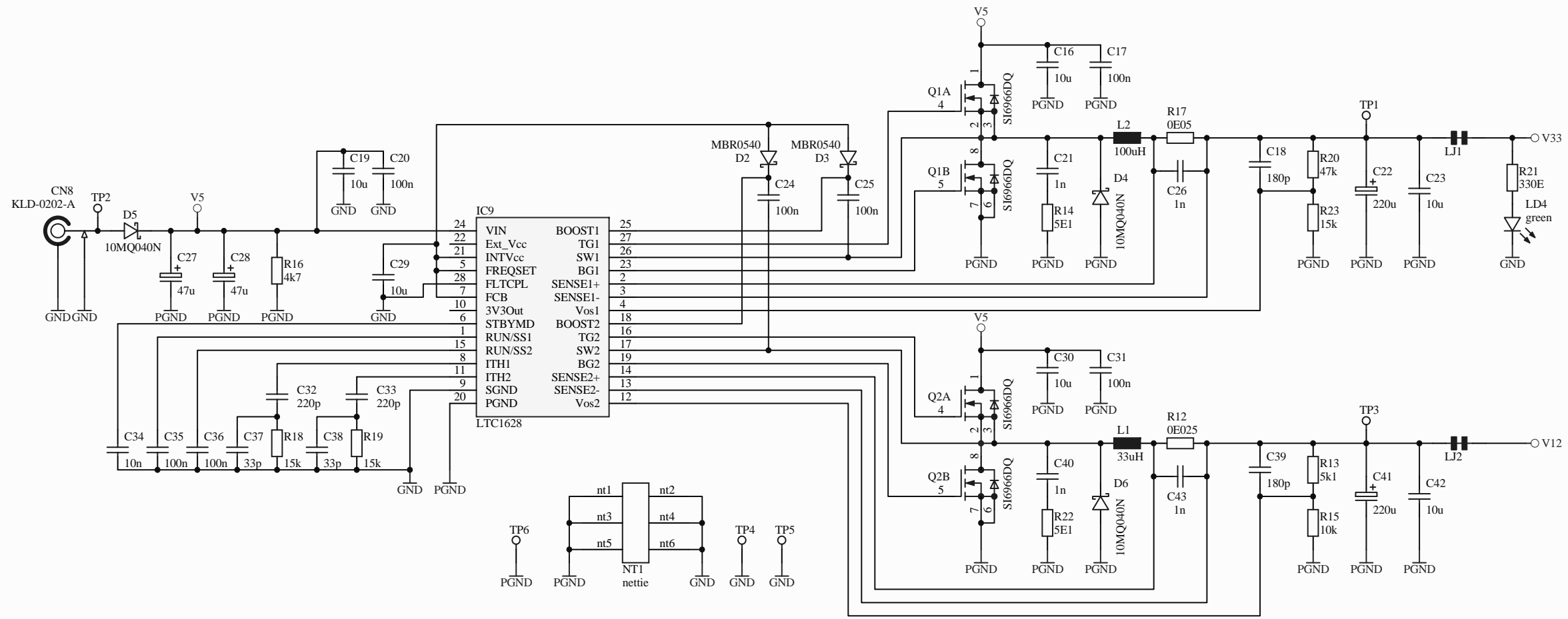
# RS-232



# Configuration / JTAG







Title <b>DIY Calculator Power</b>			PCL Ges.m.b.H. Triester Str. 14 A-2351 Wr. Neudorf
Size: A3	AQ0181	Revision: 1.0	
Date: 15.11.2006	Sheet 3 of 3		
File: aq0181_diycalculator_fpga_power.SchDoc			