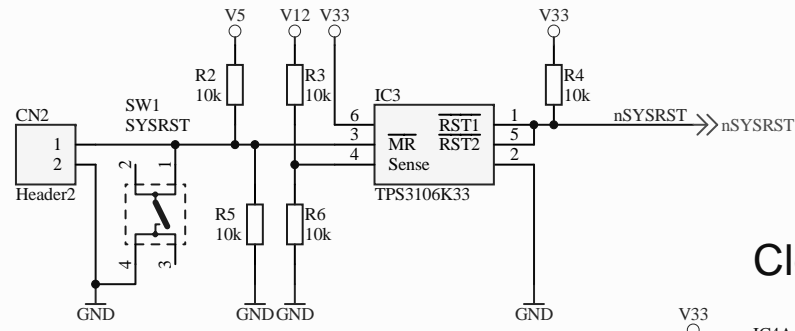
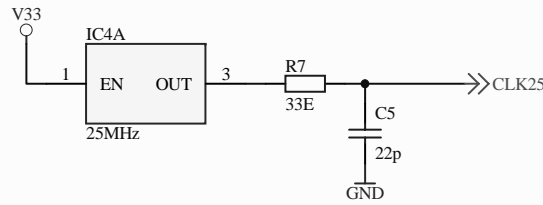


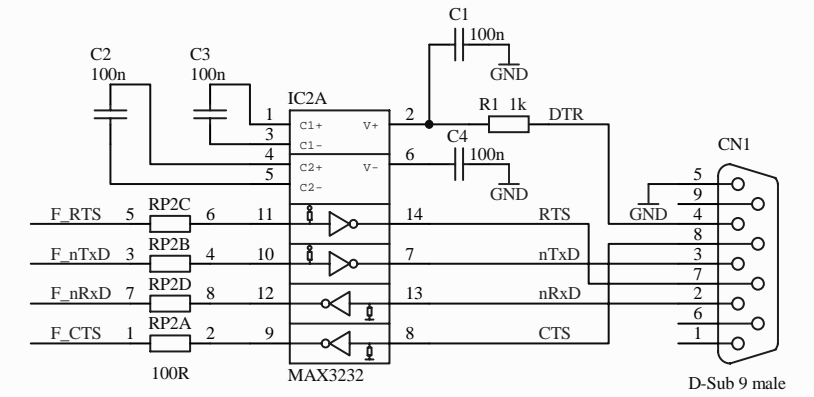
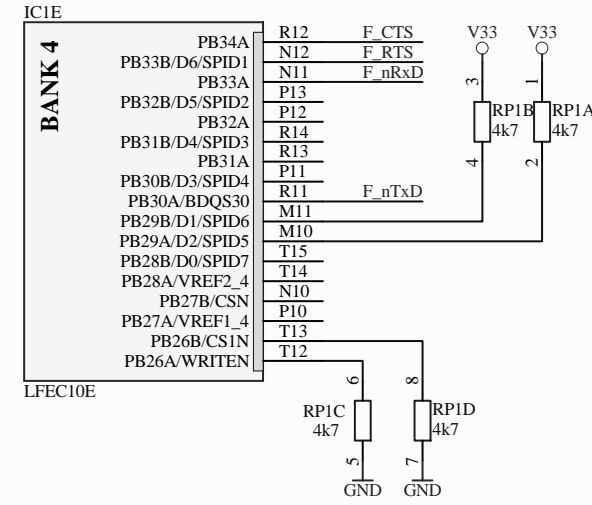
Reset



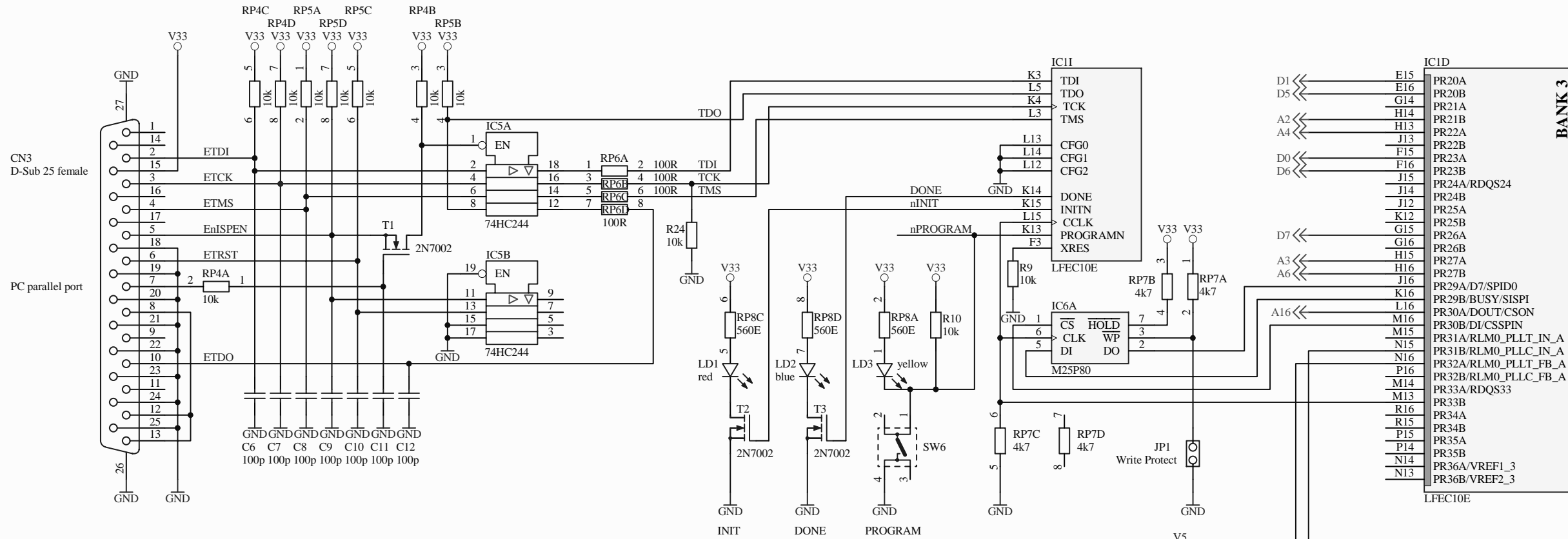
Clock



RS-232



Configuration / JTAG

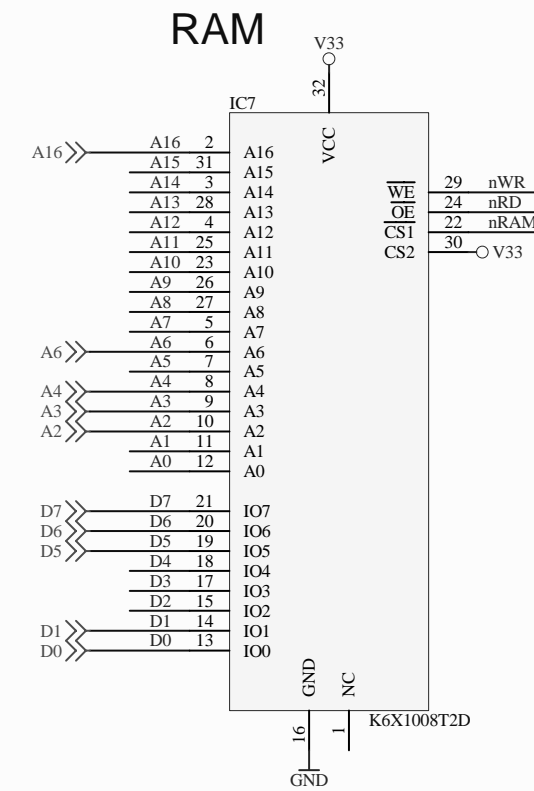
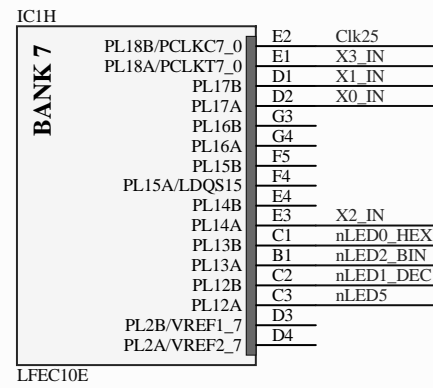
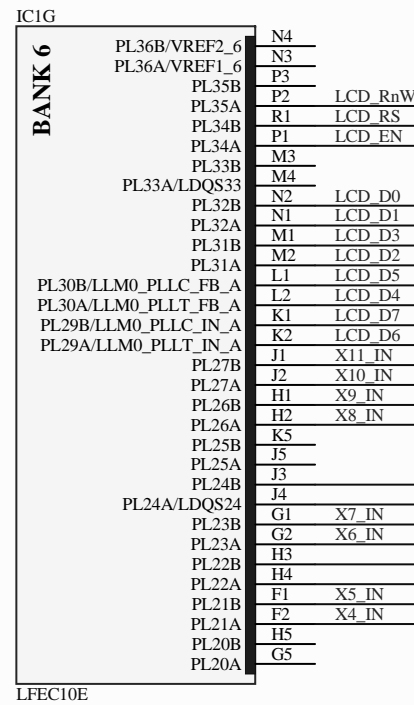
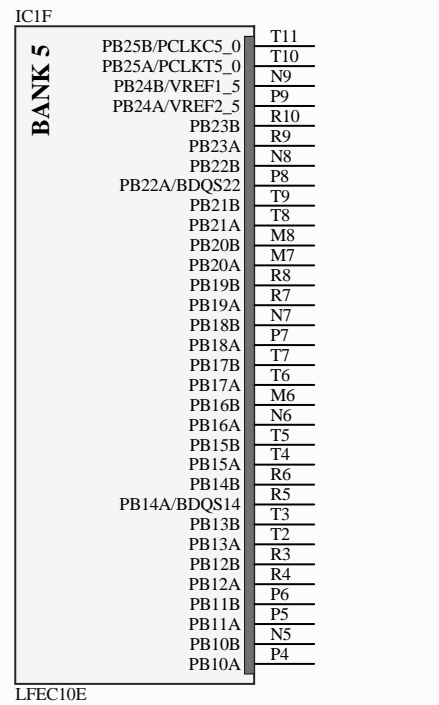
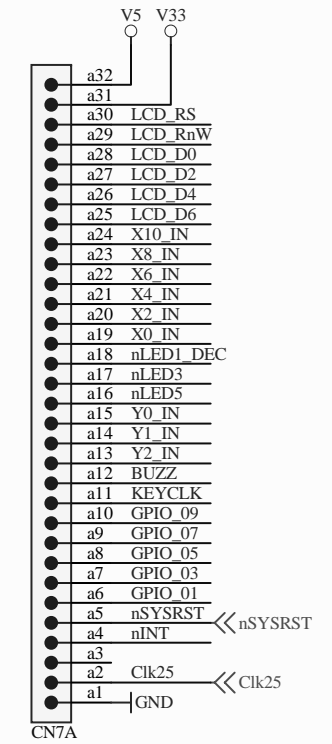
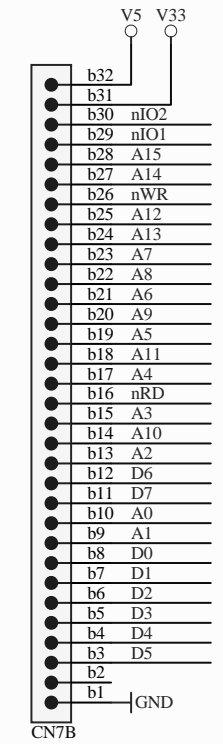
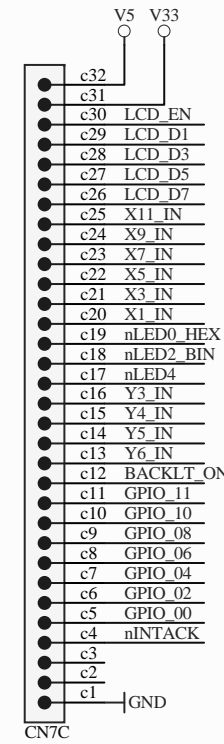
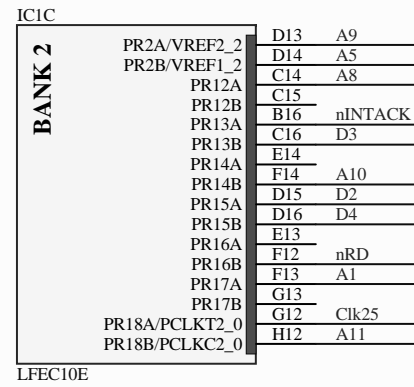
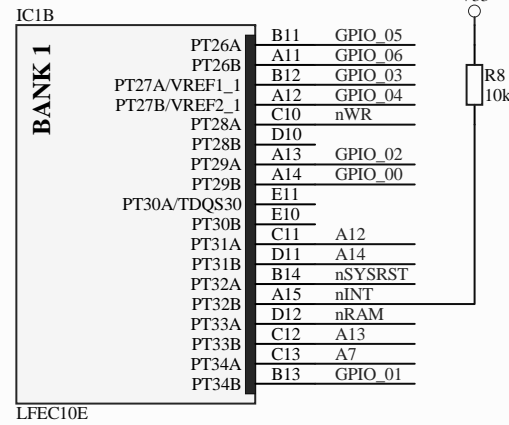
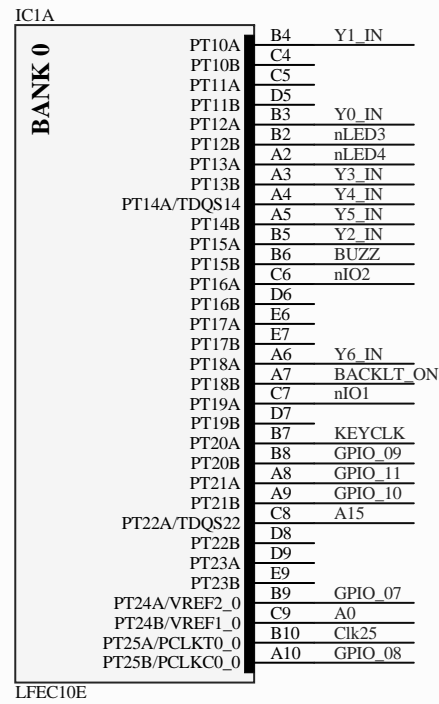


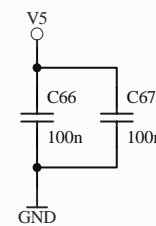
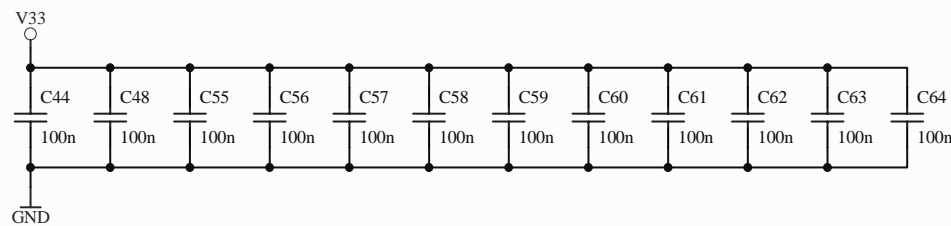
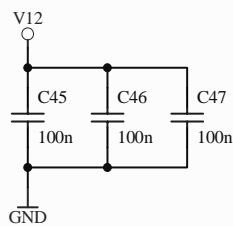
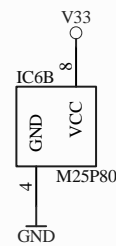
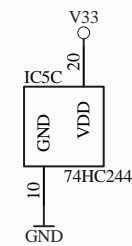
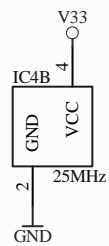
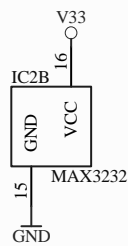
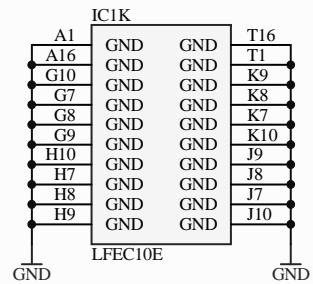
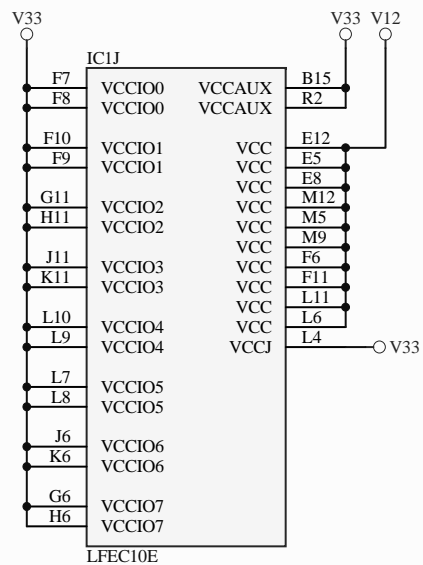
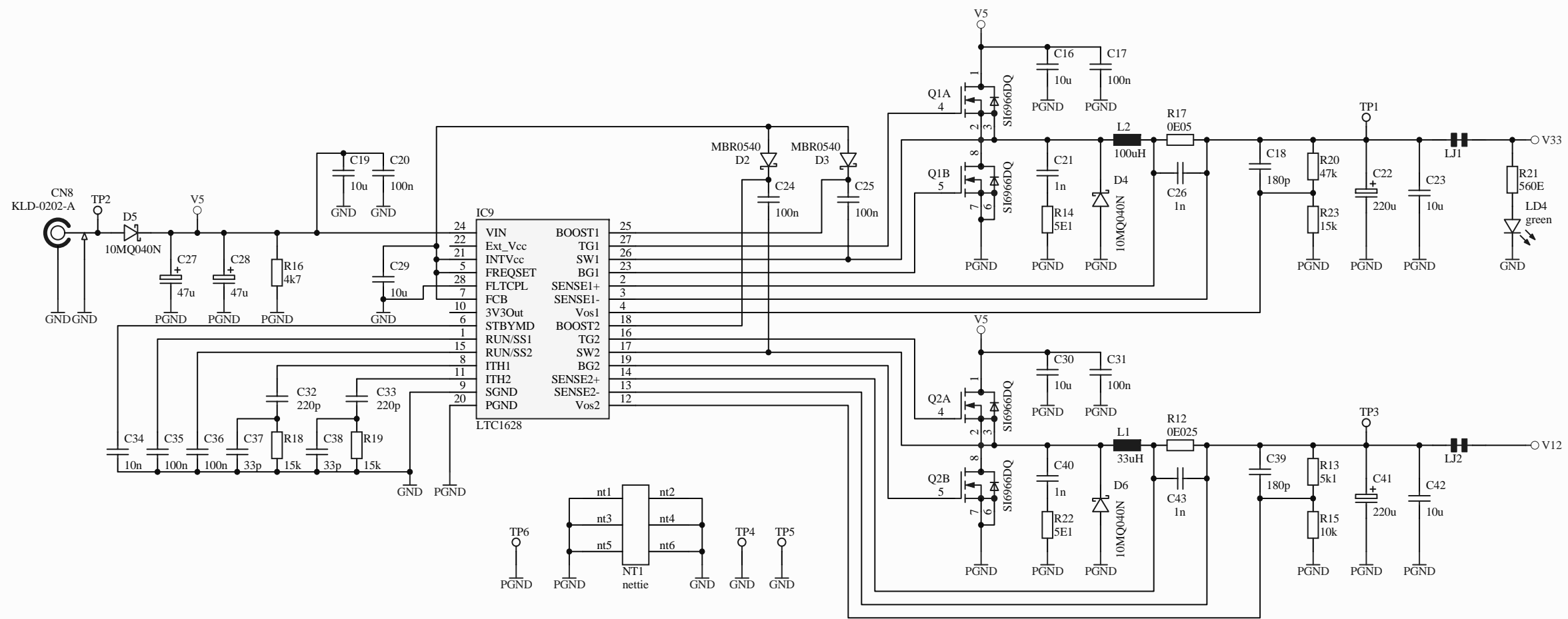
CN3
D-Sub 25 female

PC parallel port

GND GND GND GND GND GND GND
C6 C7 C8 C9 C10 C11 C12
100p 100p 100p 100p 100p 100p

Title DIY Calculator System Services			PCL Ges.m.b.H. Triester Str.14 A-2351 Wr. Neudorf
Size: A3	AQ0181	Revision: 1.0	
Date: 28.11.2006	Sheet 1 of 3		
File: aq0181_diycalculator_fpga_system.SchDoc			





Title DIY Calculator Power			PCL Ges.m.b.H. Triester Str. 14 A-2351 Wr. Neudorf
Size: A3	AQ0181	Revision: 1.0	
Date: 28.11.2006	Sheet 3 of 3		
File: aq0181_diycalculator_fpga_power.SchDoc			