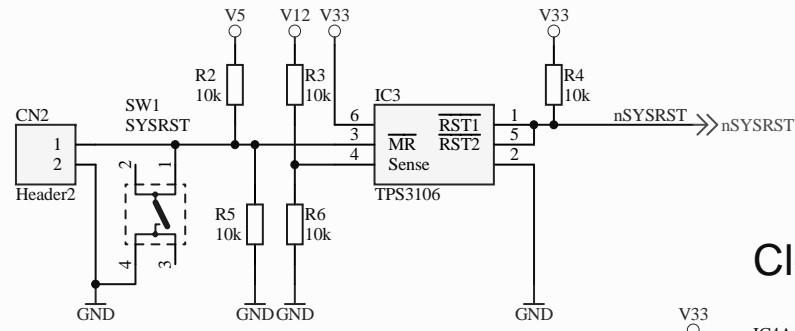
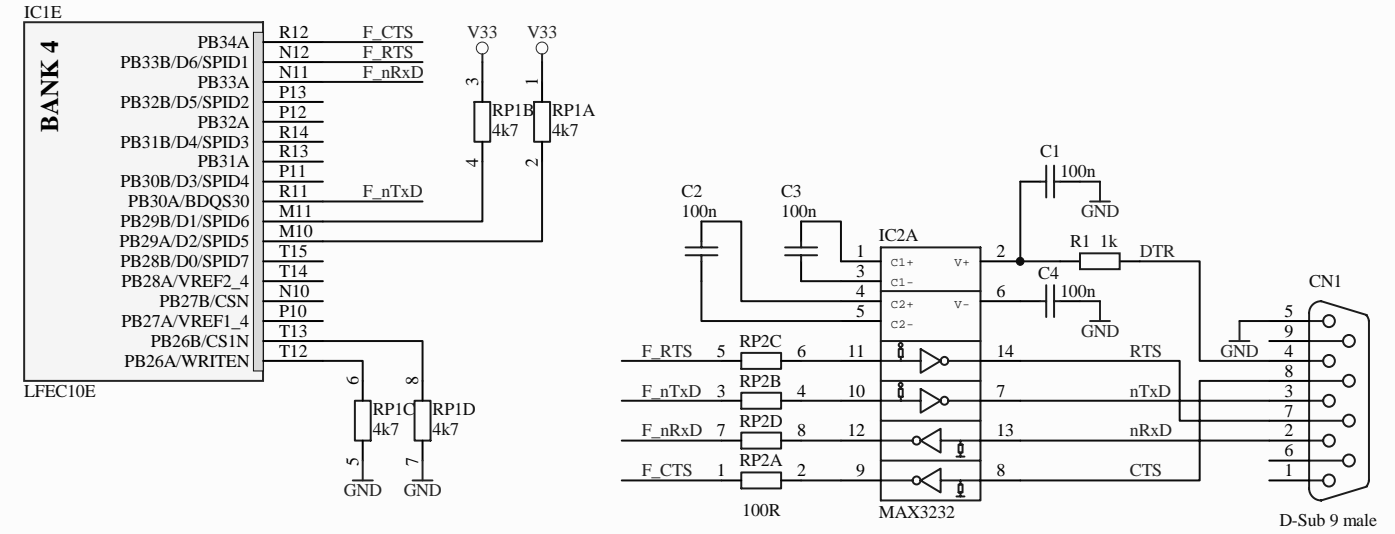


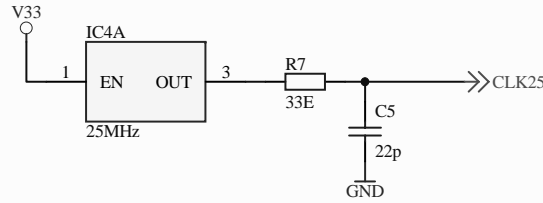
Reset



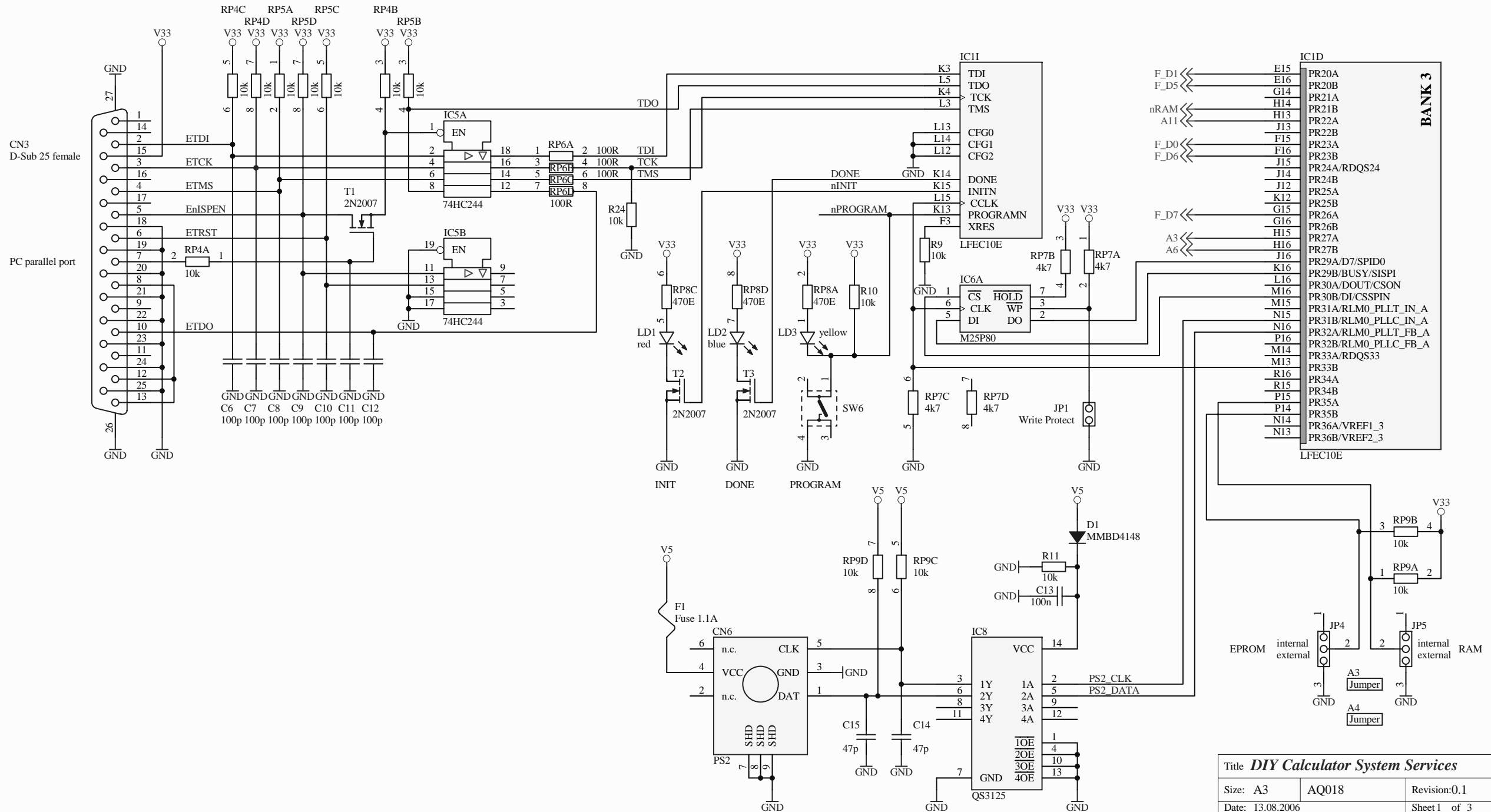
RS-232



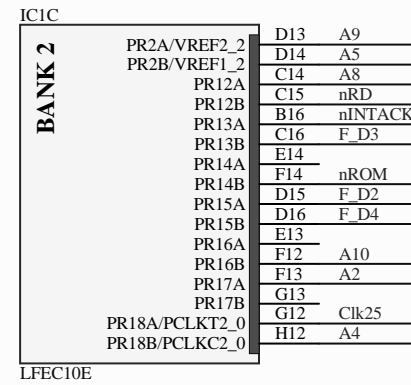
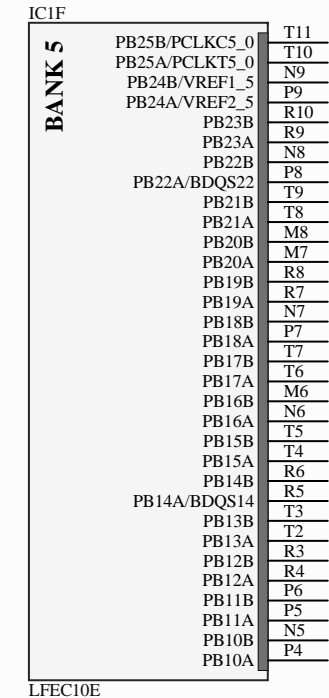
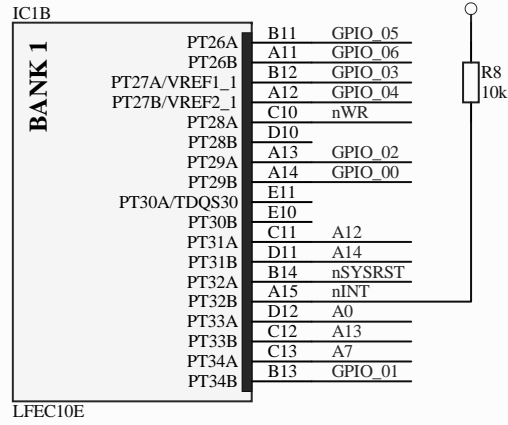
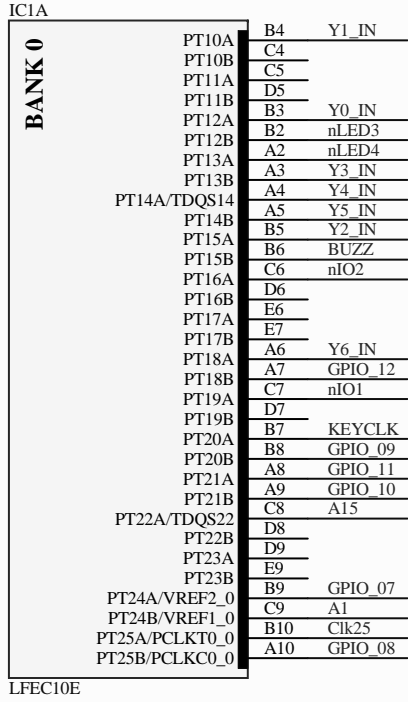
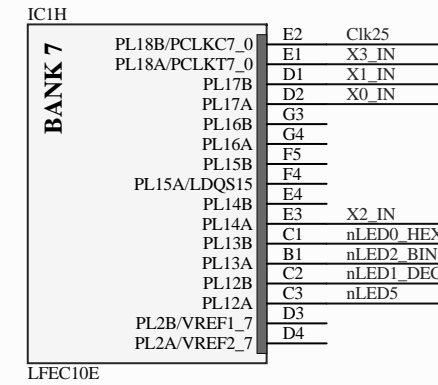
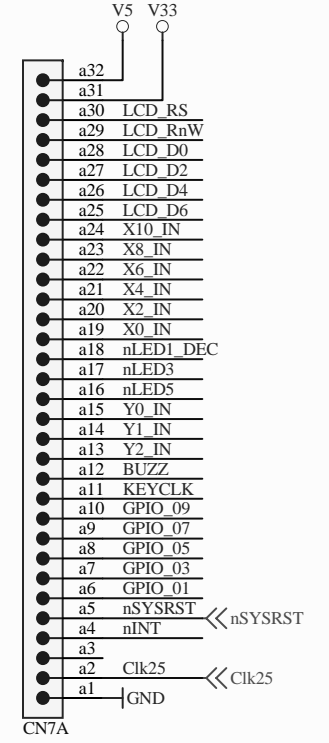
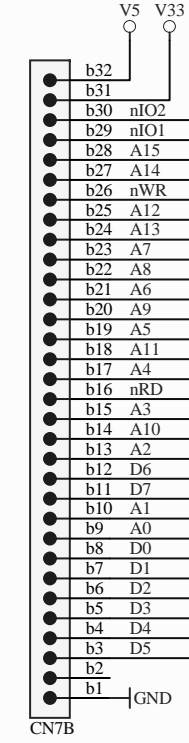
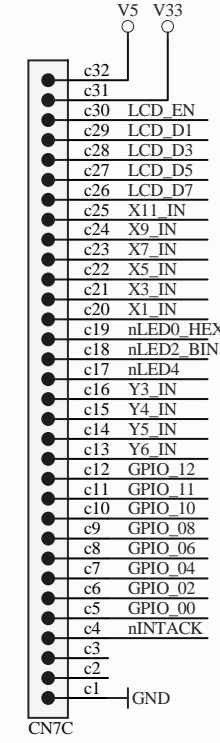
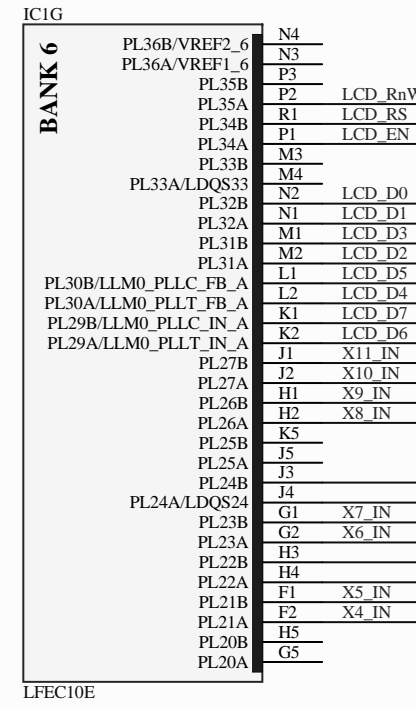
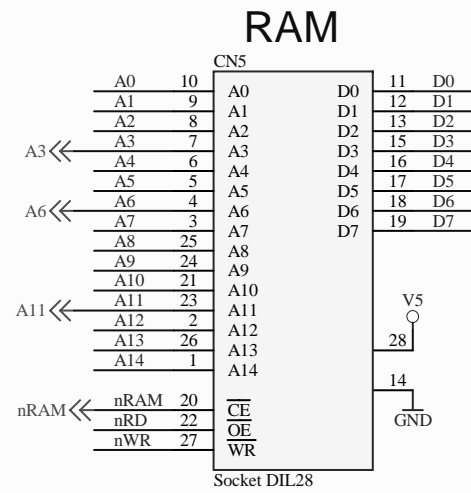
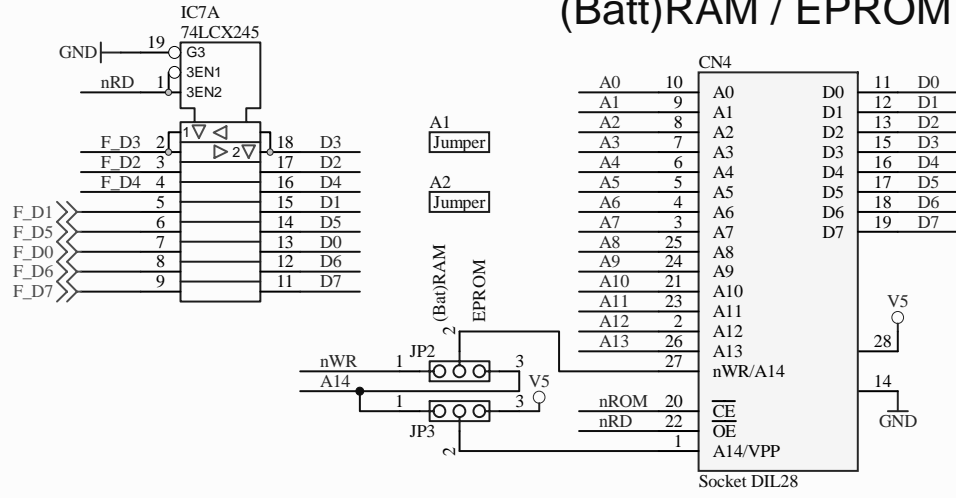
Clock

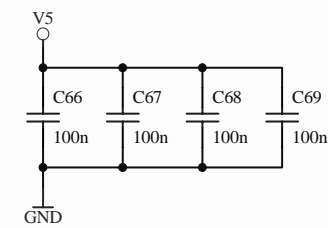
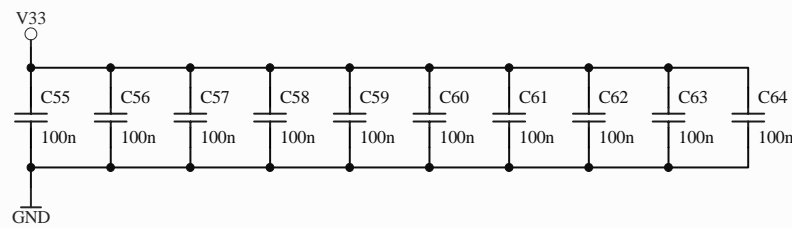
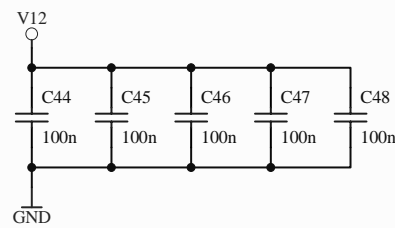
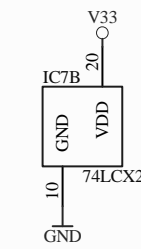
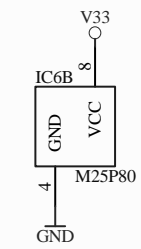
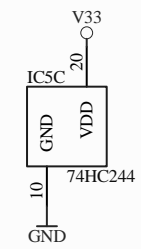
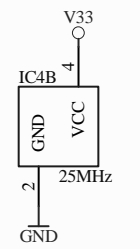
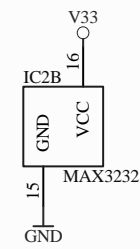
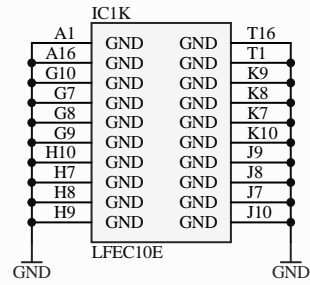
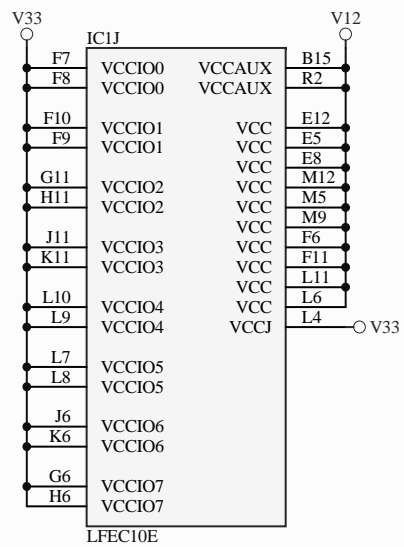
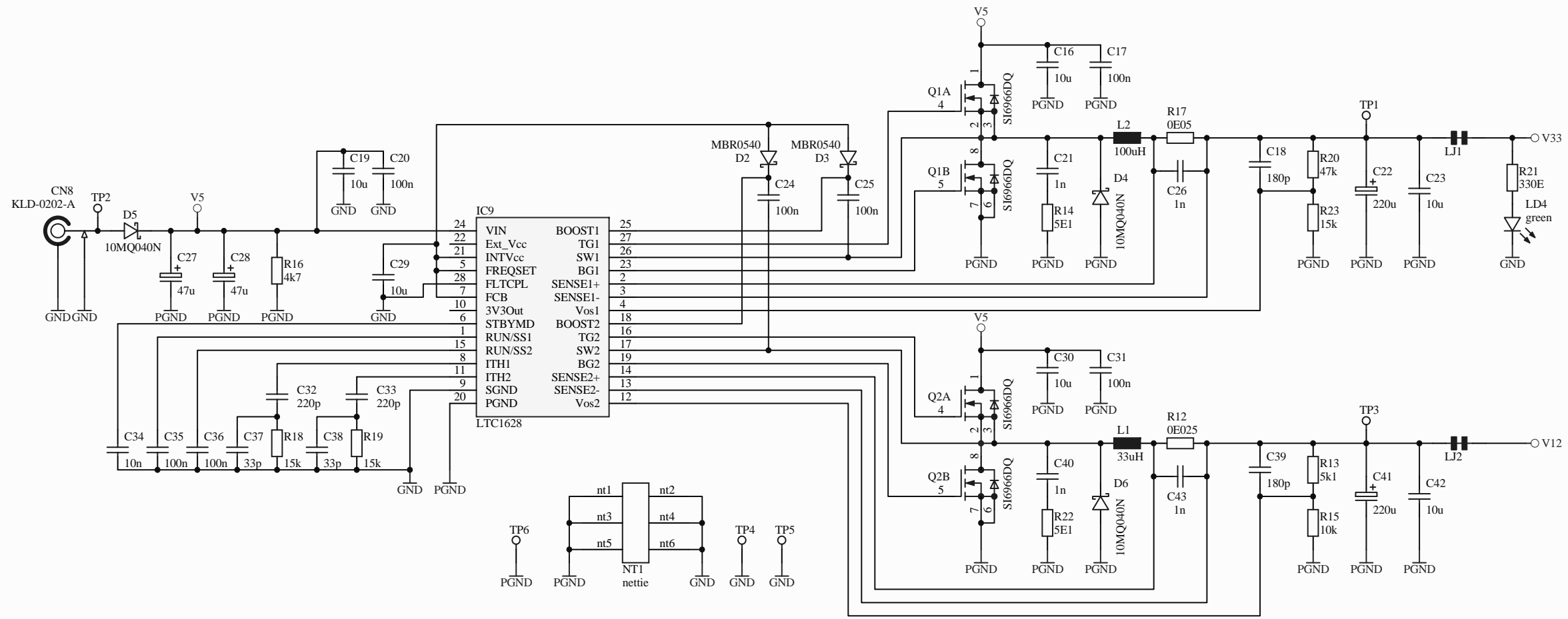


Configuration / JTAG



(Bat)RAM / EPROM





Title DIY Calculator Power			PCL Ges.m.b.H. Triester Str. 14 A-2351 Wr. Neudorf
Size: A3	AQ018	Revision:0.1	
Date: 13.08.2006	Sheet3 of 3		
File: aq018_diycalculator_fpga_power.SchDoc			