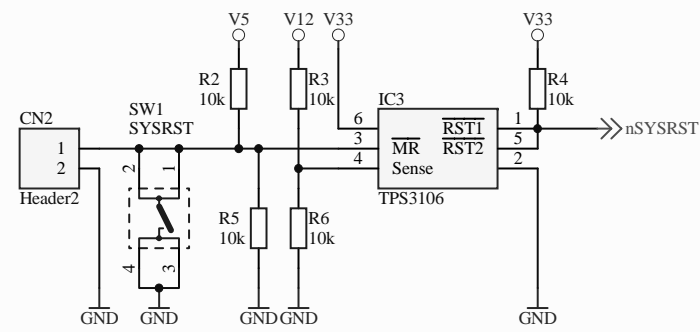
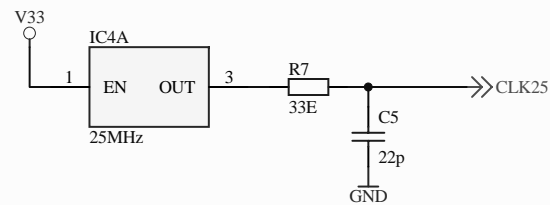


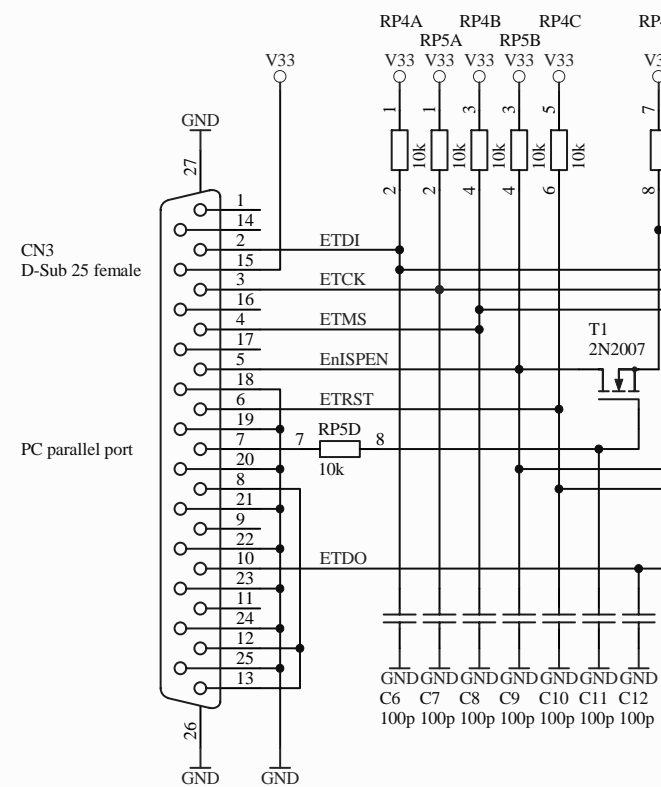
Reset



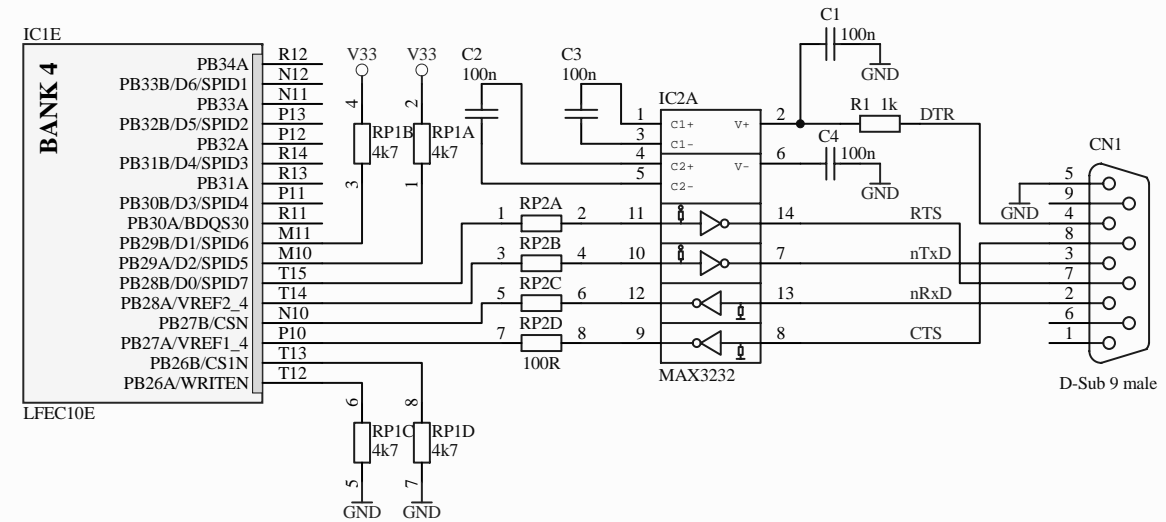
Clock



Configuration / JTAG

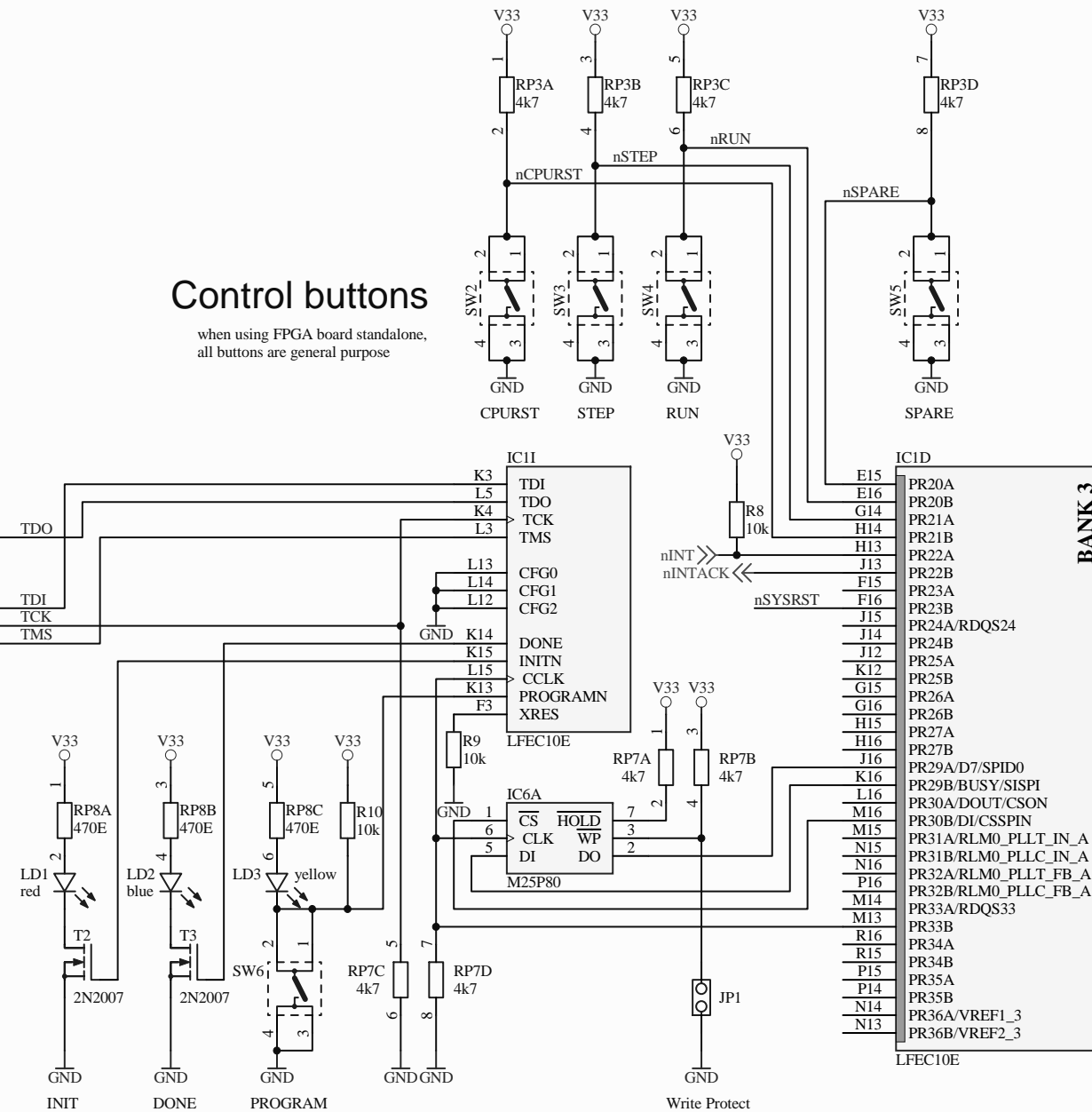


RS-232

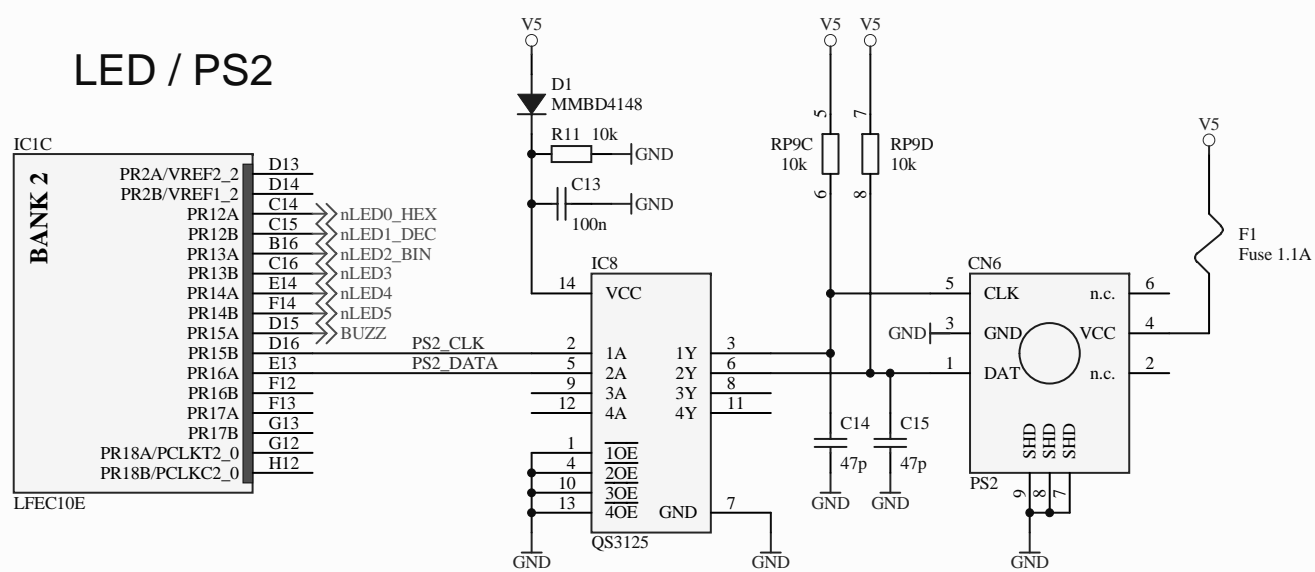
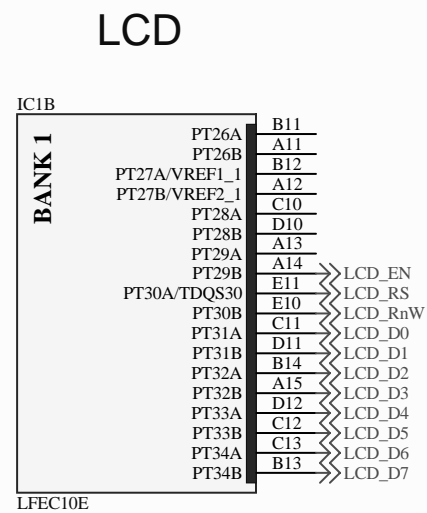
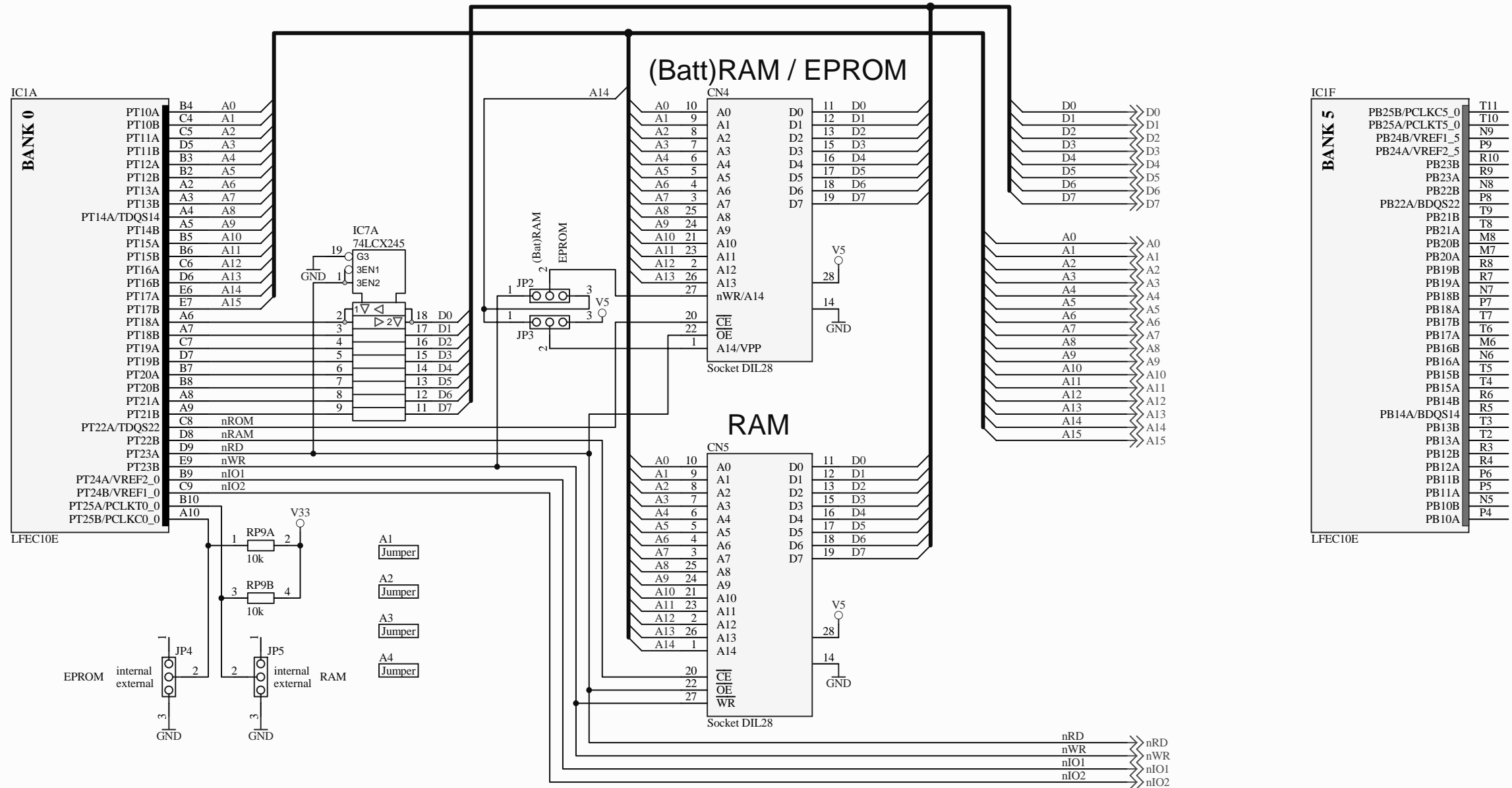


Control buttons

when using FPGA board standalone, all buttons are general purpose



Title DIY Calculator System Services			PCL Ges.m.b.H. Triester Str.14 A-2351 Wr. Neudorf
Size: A3	AQ018	Revision:0.1	
Date: 04.08.2006	Sheet 1 of 4		
File: aq018_diycalculator_fpga_system.SchDoc			



A

A

B

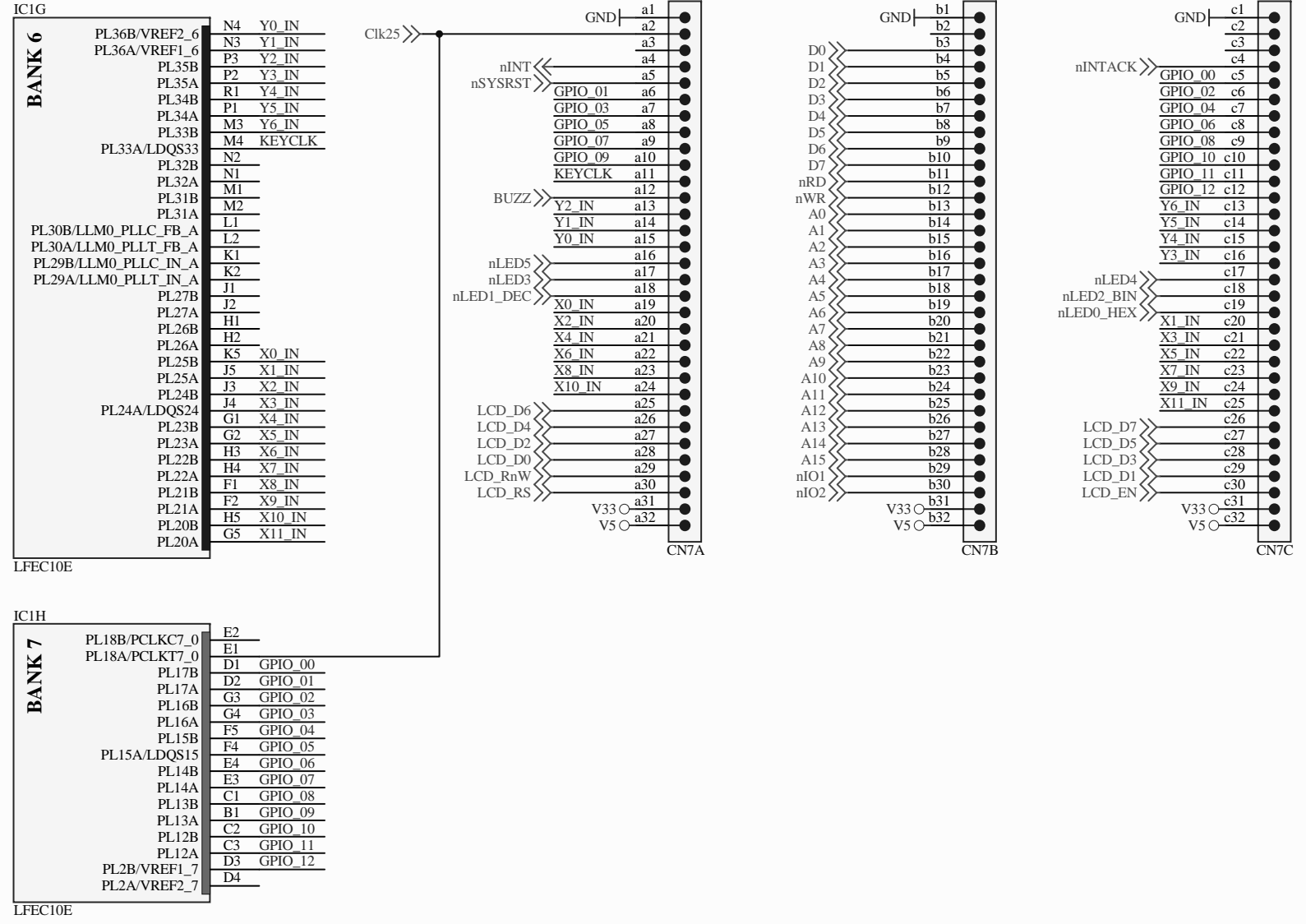
B

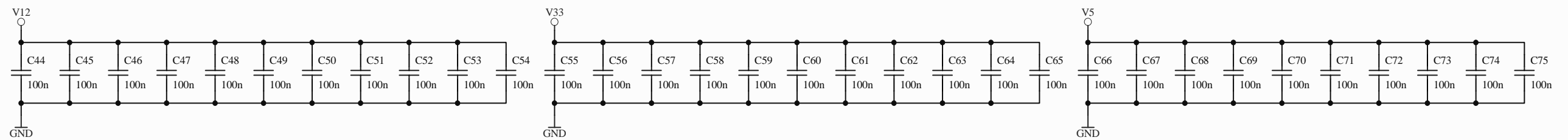
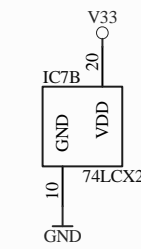
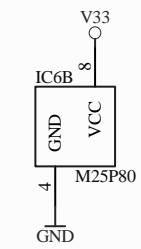
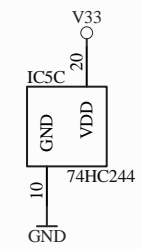
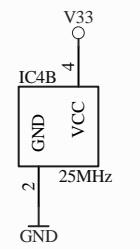
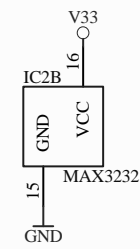
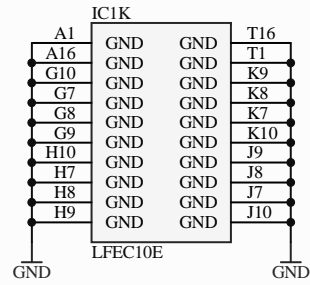
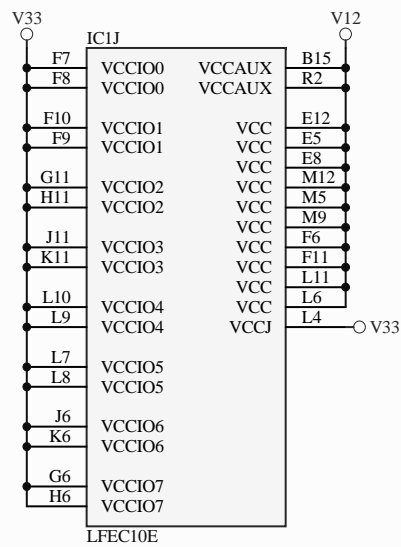
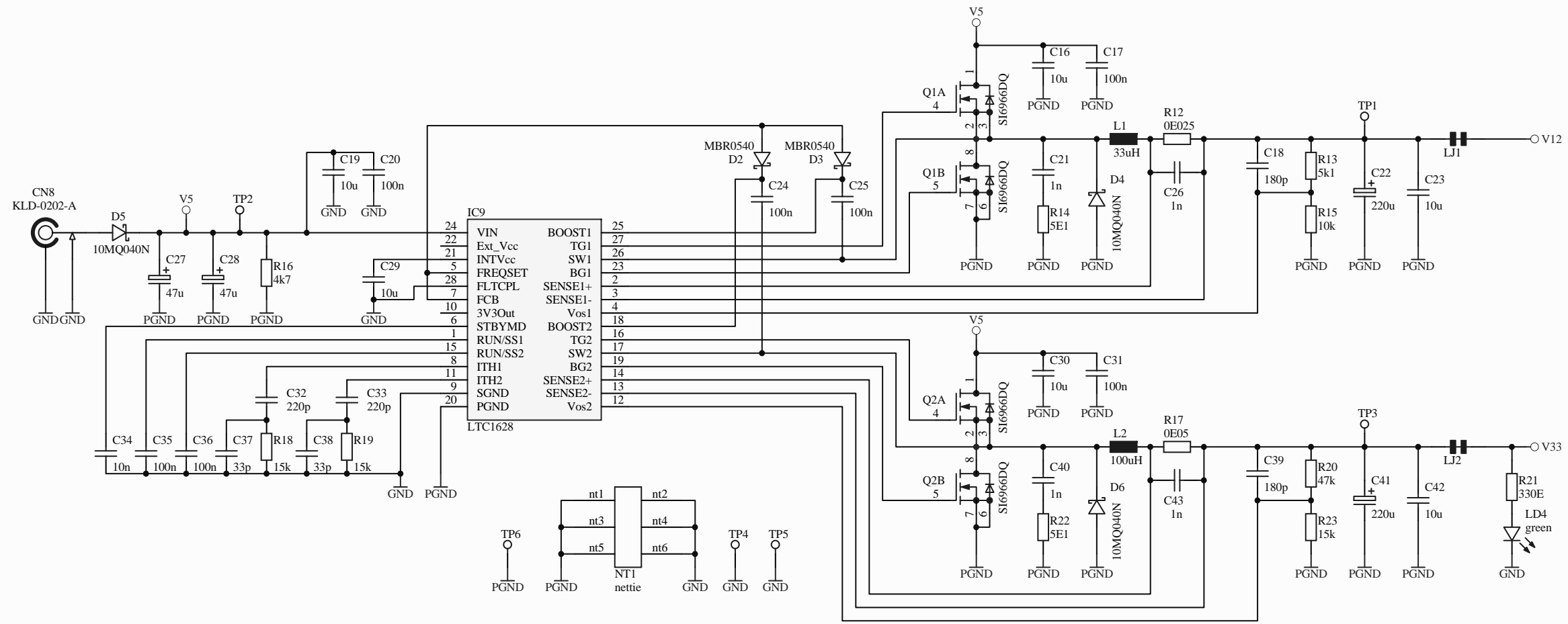
C

C

D

D





Title DIY Calculator Power			PCL Ges.m.b.H. Triester Str. 14 A-2351 Wr. Neudorf
Size: A3	AQ018	Revision:0.1	
Date: 04.08.2006	Sheet4 of 4		
File: aq018_diycalculator_fpga_power.SchDoc			